

# LNO-6010R/6020R/6030R

2M Network IR Bullet Camera



LNO-6010R/6020R/6030R

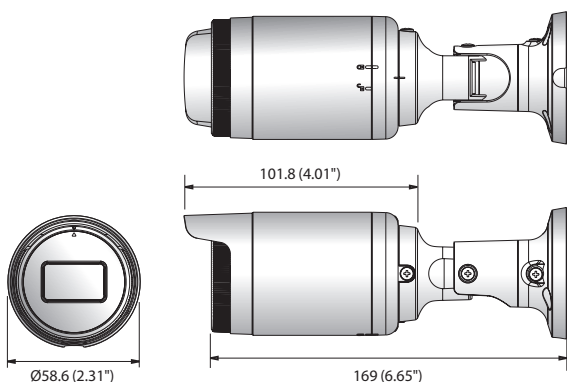


## Key Features

- Max. 2megapixel (1920 x 1080) resolution
- Built-in 3mm fixed lens (LNO-6010R)  
4mm fixed lens (LNO-6020R)  
6mm fixed lens (LNO-6030R)
- Max. 30fps@all resolutions (H.264)
- H.264, MJPEG codec supported, Multiple streaming
- Day & Night (ICR), WDR (120dB)
- Tampering, Motion detection
- Micro SD/SDHC memory slot (Max. 32GB), PoE
- Hallway view, WiseStreamII support
- IR viewable length 30m
- IP66 support

## Dimensions

Unit : mm (inch)



LNO-6010R/6020R/6030R	
<b>VIDEO</b>	
Imaging Device	1/2.9" 2.19M CMOS
Total Pixels	2,000(H) x 1,121(V)
Effective Pixels	1,984(H) x 1,105(V)
Scanning System	Progressive Scan
Min. Illumination	Color: 0.18Lux (F2.0), B/W: 0Lux (IR LED on)
<b>LENS</b>	
Focal Length (Zoom Ratio)	3mm fixed (LNO-6010R), 4mm fixed (LNO-6020R), 6mm fixed (LNO-6030R)
Max. Aperture Ratio	F2.0
Angular Field of View	H : 102° / V : 54° / D : 120° (LNO-6010R) H : 80° / V : 43° / D : 94° (LNO-6020R) H : 51° / V : 29° / D : 58° (LNO-6030R)
Min. Object Distance	0.5m (1.64ft)
Lens / Mount Type	Fixed / Board-in type
<b>OPERATIONAL</b>	
IR Viewable Length	30m (98.43ft)
Camera Title	Off / On (Displayed up to 15 characters)
Day & Night	Auto (ICR) / Color / B/W / Schedule
Backlight Compensation	Off / BLC / WDR
Wide Dynamic Range	120dB
Contrast Enhancement	SSDR (Off / On)
Digital Noise Reduction	SSNR (Off / On)
Motion Detection	Off / On (4ea rectangular zones)
Privacy Masking	Off / On (6ea rectangular zones)
Gain Control	Off / Low / Middle / High
White Balance	ATW / AWC / Manual / Indoor / Outdoor
LDC (Lens Distortion Correction)	Off / On (5 levels with min / max)
Electronic Shutter Speed	Minimum / Maximum / Anti flicker
Flip / Mirror	Off / On, Hallway view
Video & Audio Analytics	Tampering, Motion detection
Alarm Triggers	Motion detection, Tampering detection, SD card error
Alarm Events	File upload via FTP and E-mail, Local storage recording at event, Notification via E-mail
<b>NETWORK</b>	
Ethernet	RJ-45 (10/100BASE-T)
Video Compression Format	H.264, MJPEG
Resolution	1920 x 1080, 1280 x 1024, 1280 x 960, 1280 x 720, 1024 x 768, 800 x 600, 800 x 448, 720 x 576, 640 x 480, 640 x 360, 320 x 240
Max. Framerate	H.264 : Max. 30fps at all resolutions MJPEG : Max. 1fps at 1920 x 1080, 1280 x 1024, 1280 x 720, 1024 x 768, Max. 15fps at other resolution
WiseStream II	Support
Video Quality Adjustment	H.264, MJPEG : Target Bitrate Level Control
Bitrate Control Method	H.264 : CBR or VBR, MJPEG : VBR
Streaming Capability	Multiple streaming (Up to 3 profiles)
IP	IPv4, IPv6
Protocol	TCP/IP, UDP/IP, RTP (UDP), RTP (TCP), RTP/RTSP, NTP, HTTP, HTTPS, SSL/TLS, DHCP, PPPoE, FTP, SMTP, ICMP, IGMP, SNMPv1/v2c/v3(MIB-2), ARP, DNS, DDNS, QoS, UPnP, Bonjour
Security	HTTPS (SSL) login authentication, Digest login authentication, IP address filtering, User access log, 802.1X authentication (EAP-TLS, EAP-LEAP)
Streaming Method	Unicast / Multicast
Max. User Access	6 users at unicast mode
Edge Storage	Micro SD/SDHC Max. 32GB - Motion images recorded in the SD memory card can be downloaded - Manual recording at local PC
Application Programming Interface	ONVIF profile S/G, SUNAPI (HTTP API)
Webpage Language	English, French, German, Spanish, Italian, Chinese, Korean, Russian, Japanese, Swedish, Danish, Portuguese, Turkish, Polish, Czech, Rumanian, Serbian, Dutch, Croatia, Hungary, Greek, Finnish, Norwegian
Web Viewer	Supported OS : Windows 7, 8.1, 10, Mac OS X 10.10, 10.11, 10.12 Non-plugin Webviewer - Supported Browser : Google Chrome 63, MS Edge 41, Mozilla Firefox 57 (Window 64bit only), Apple Safari 11 (Mac OS X only) Plug-in Webviewer - Supported Browser : MS Explore 11
Central Management Software	SmartViewer, SSM
<b>ENVIRONMENTAL</b>	
Operating Temperature / Humidity	-30°C ~ +55°C (-22°F ~ +131°F) / Less than 90% RH * Start up should be done at above -20°C (-4°F)
Storage Temperature / Humidity	-30°C ~ +60°C (-22°F ~ +140°F) / Less than 90% RH
Ingress Protection	IP66
<b>ELECTRICAL</b>	
Input Voltage / Current	PoE (IEEE802.3af, Class3)
Power Consumption	6.5W
<b>MECHANICAL</b>	
Color / Material	Dark gray / Plastic
Dimensions (WxH)	Ø58.6 x 182.0mm (Ø2.31" x 7.17")
Weight	240g (0.53 lb)

\* The latest product information / specification can be found at [hanwha-security.com](http://hanwha-security.com)

\* Design and specifications are subject to change without notice.

\* Wisenet is the proprietary brand of **Hanwha Techwin**, formerly known as Samsung Techwin.