

# XNZ-L6320

2M H.265 NW 32x Zoom Camera



## Key Features

- Max. 2Megapixel (1920 x 1080) resolution
- 4.44 ~ 142.6mm Optical 32x zoom
- Max. 60fps@all resolutions (H.265 / H.264)
- H.265, H.264, MJPEG Codec, Multiple streaming
- Day & Night (ICR), WDR (120dB), Defog
- DIS, Video & Audio Analytics
- PoE, SD/SDHC/SDXC memory slot

**Video**

Imaging Device	1/2.8" CMOS
Resolution	1920x1080, 1280x1024, 1280x960, 1280x720, 1024x768, 800x600, 800x448, 720x576, 720x480, 640x480, 640x360, 320x240
Max. Framerate	H.265/H.264: Max. 60fps/50fps(60Hz/50Hz) MJPEG: Max. 30fps/25fps(60Hz/50Hz)
Min. Illumination	Color: 0.05Lux(F1.6, 1/30sec) BW: 0.005Lux(IR LED On)
Video Out	CVBS: 1.0 Vp-p / 75Ω composite, 720x480(N), 720x576(P), for installation

**Lens**

Focal Length (Zoom Ratio)	4.44~142.6mm(32x) motorized varifocal
Max. Aperture Ratio	F1.6(Wide) ~ F4.4(Tele)
Angular Field of View	H: 61.8° (Wide) ~2.19° (Tele), V: 36.2° (Wide) ~1.24° (Tele)
Min. Object Distance	1.5m(4.92ft)
Focus Control	Auto, One shot AF
Lens Type	DC auto iris

**Operational**

Camera Title	Displayed up to 85 characters
Direction Indicator	Support
Day & Night	Auto(ICR)
Backlight Compensation	BLC, HLC, WDR, SSSR
Wide Dynamic Range	120dB
Digital Noise Reduction	SSNRV
Digital Image Stabilization	Support
Defog	Support
Motion Detection	8ea, 8point polygonal zones
Privacy Masking	32ea, rectangular Support - Color: Grey/Green/Red/Blue/Black/White - Mosaic
Gain Control	Low / Middle / High
White Balance	ATW / AWC / Manual / Indoor / Outdoor
Electronic Shutter Speed	Minimum / Maximum / Anti flicker (2~1/12,000sec)
Video Rotation	Flip, Mirror
Analytics	Defocus detection, Directional detection, Fog detection, Face detection, Motion detection, Digital auto tracking, Appear/Disappear, Enter/Exit, Loitering, Tampering, Virtual line, Audio detection, Sound classification
Alarm I/O	Input 1ea / Output 1ea
Alarm Triggers	Analytics, Network disconnect, Alarm input

Alarm Events	File upload via FTP and E-Mail Notification via E-Mail SD/SDHC/SDXC or NAS recording at Event Triggers Alarm output Handover
Audio In	Selectable (Mic in/Line in), Supply voltage: 2.5VDC(4mA), Input impedance: 2K Ohm
Audio Out	Line out, Max. output level: 1Vrms

**Network**

Ethernet	Metal shielded RJ-45(10/100BASE-T)
Video Compression	H.265/H.264: Main/Baseline/High, MJPEG
Audio Compression	G.711 u-law /G.726 Selectable G.726(ADPCM) 8KHz, G.711 8KHz G.726 : 16Kbps, 24Kbps, 32Kbps, 40Kbps AAC-LC : 48Kbps at 16KHz
Smart Codec	Manual(5ea area), WiseStream II
Bitrate Control	H.264/H.265: CBR or VBR MJPEG: VBR
Streaming	Unicast(20 users) / Multicast Multiple streaming(Up to 10 profiles)
Protocol	IPv4, IPv6, TCP/IP, UDP/IP, RTP(UDP), RTP(TCP), RTCP,RTSP, NTP, HTTP, HTTPS, SSL/TLS, DHCP, FTP, SMTP, ICMP, IGMP, SNMPv1/v2c/v3(MIB-2), ARP, DNS, DDNS, QoS, PIM-SM, UPnP, Bonjour,LLDP, SRTSP
Security	HTTPS(SSL) Login Authentication Digest Login Authentication IP Address Filtering User access log 802.1X Authentication(EAP-TLS, EAP-LEAP) Device certificate(Hanwha Techwin Root CA)
Application Programming Interface	ONVIF Profile S/G/T SUNAPI(HTTP API) Wisenet open platform

**General**

Webpage Language	English, Korean, Chinese, French, Italian, Spanish, German, Japanese, Russian, Swedish, Portuguese, Czech, Polish, Turkish, Dutch, Hungarian, Greek
Edge Storage	Micro SD/SDHC/SDXC 1slot 256GB
Memory	1024MB RAM, 256MB Flash

**Environmental & Electrical**

Operating Temperature / Humidity	-10°C ~ +55°C(-14°F ~ +131°F) / Less than 90% RH
Storage Temperature / Humidity	-50°C ~ +60°C(-58°F ~ +140°F) / Less than 90% RH
Input Voltage	PoE(IEEE802.3af, Class3), 12VDC

Power Consumption	PoE : Max 6.8W, Typical 4.8W 12VDC : Max 5.2W, Typical 3.5W
-------------------	----------------------------------------------------------------

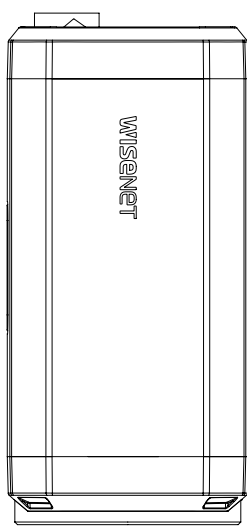
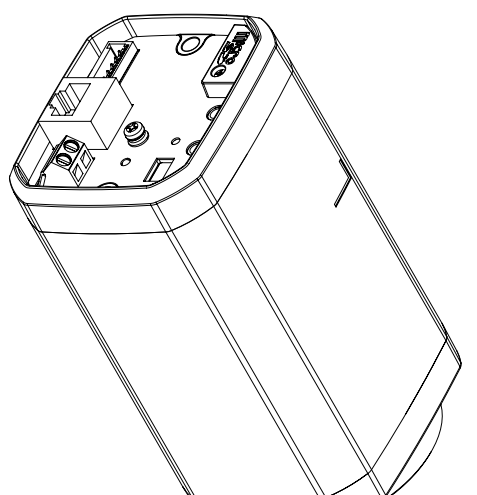
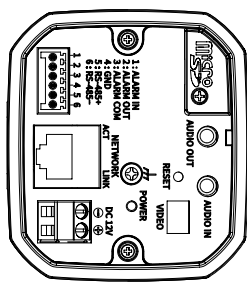
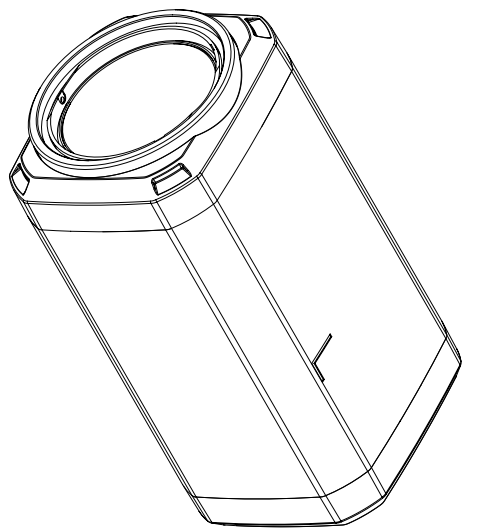
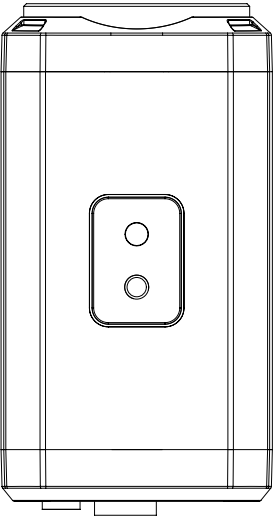
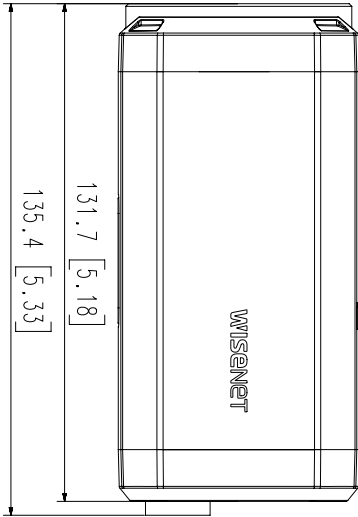
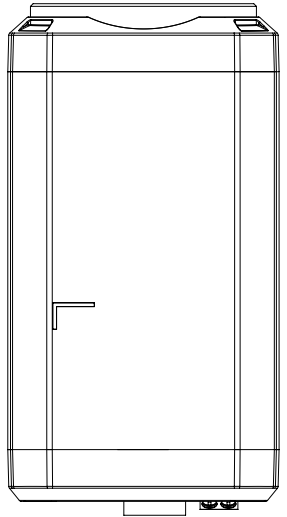
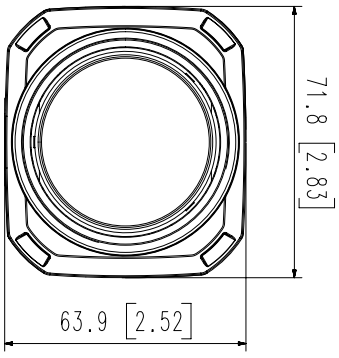
**Mechanical**

Color / Material	Black / Metal
RAL Code	RAL9005
Product dimensions / weight	72x63.9x135.4mm (2.83x2.52x5.33"), 480g (1.06 lb)

**DORI (EN62676-4 standard)**

Detect (25PPM/ 8PPF)	Wide: 64.2m (210.62ft) / Tele: 2009.0m (6591.3ft)
Observe (63PPM/ 19PPF)	Wide: 62.5m (84.32ft) / Tele: 803.6m (2636.5ft)
Recognize (125PPM/ 38PPF)	Wide: 12.8m (42.1ft) / Tele: 401.8m (1318.3ft)
Identify (250PPM/ 76PPF)	Wide: 6.4m (21.1ft) / Tele: 200.9m (659.1ft)

- The latest product information / specification can be found at [hanwha-security.com](http://hanwha-security.com)
- Design and specifications are subject to change without notice.
- Wisenet is the proprietary brand of Hanwha Techwin, formerly known as Samsung Techwin.



3	파생 MODEL2	
2	파생 MODEL1	
1	XNZ-L6320	'19.09.29
No.	MODEL NAME	DATE

Unit : mm [ inch ]    SCALE : 1/1    © Hanwha Techwin